

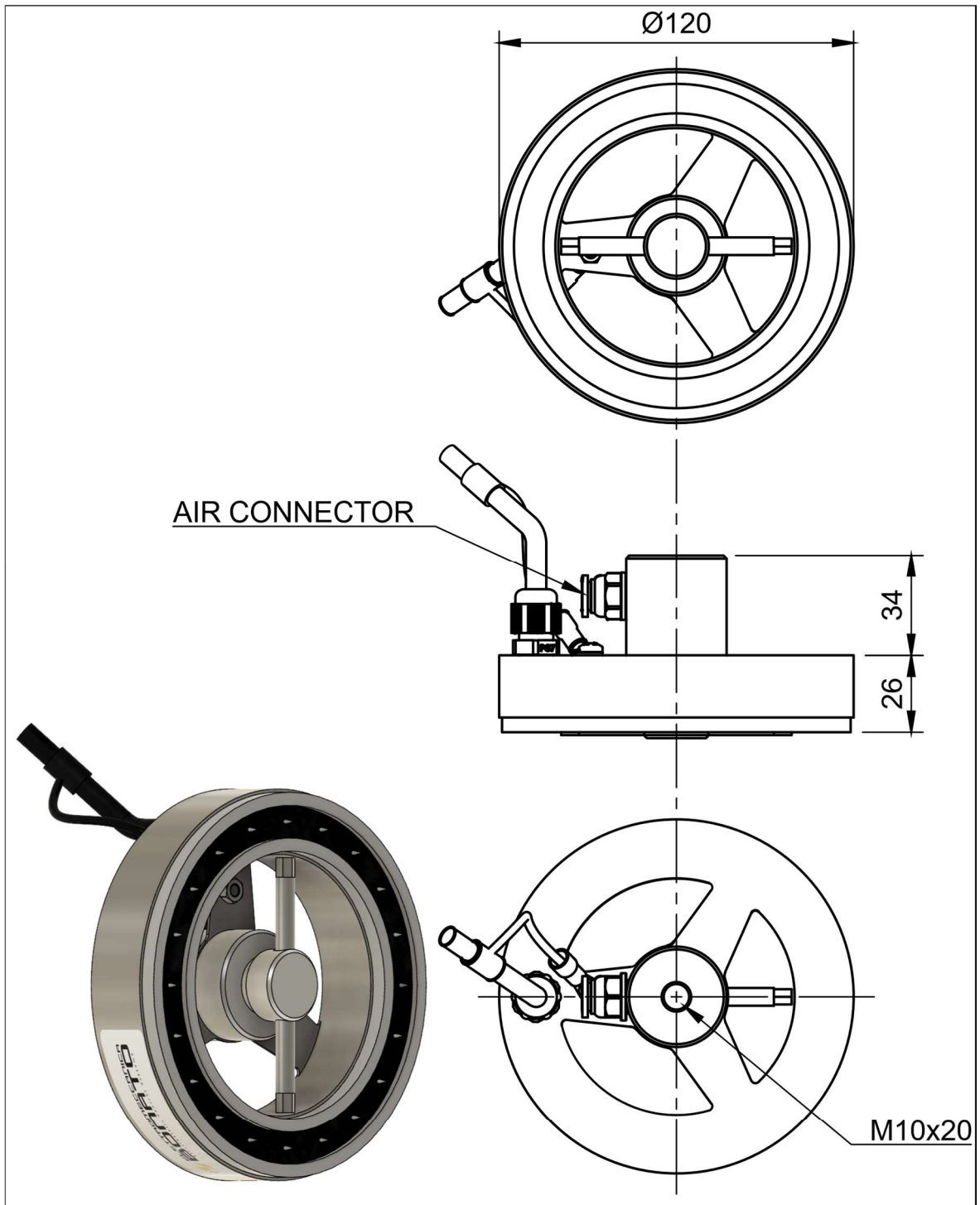
IRJ-120 IONIZING ROTATING JET



The ionizing rotating jet IRJ-120 with compressed air has a double function; to clean the affected surface and to remove the electrostatic charges. Our highly effective ionizing rotating jet guarantees the complete coverage of the surface to clean, needs a little maintenance and will last long in time. To cover wide areas the IRJ-120 can be installed in series; its mounting kit is available.

Like other active antistatic equipment, the rotary ionizing jet must also be connected to an antistatic power supply via a high voltage cable and compressed air via a 6 mm hose. We recommend the use of an air filter of 5 microns or smaller in order to prevent the nozzle from coming into contact with impurities and humidity.

IRJ-120	
Working distance	up to 500 mm
Operating voltage	6,5 KV
Power supply	AF2WR, AF4WR, APS2, APS4
Emitters	stainless steel
Air consumption	with 4 bar, 84 lit/min
Maximum pressure	6 bar
Air connection	6mm tube
Working temperature	0-60°C, 70% relative humidity



Rev.	Data	Nome		Descrizione			
Materiale		Grezzo		Trattamento		Finitura	Massa (kg)
Disegnatore	Approvato	Data	Denominazione	Dis. n.			Rev.
Giacomo		01/02/2021	IRJ-120				00
<small>Il presente disegno e' di proprieta' della ditta Elettromeccanica Bonato sas la divulgazione, la riproduzione o l'applicazione se non autorizzate verranno perseguite a termini di legge</small>				Tolleranze Generali	Scala	Formato	Foglio
				UNI EN-ISO 22768-mL		A4	1 / 1
DIMENSIONI IN MM							